

Gas ball valves, reduced bore

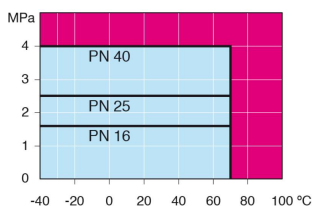
welding/welding, EN (DIN), DN 700-800

- Body: DN 10–500 Steel, P235GH (1.0345)
 DN 600–800 Steel, P355 NL1 (1.0566)/ GP240GH (1.0619)
- Ball: DN 10–600 Stainless steel, X5CrNi18-10 (1.4301)
 DN 700–800 Steel + stainless plating, ASTM A350 LF2+Ni
- Stem: Stainless steel, X8CrNiS18-9 (1.4305)
- Stem seals: NBR
- Ball seals: PTFE+C
- Equipment: lifting lugs, drain valve, mounting stand
- Operation: Valves are available with manual gear or with an electric or hydraulic actuator: www.vexve.com/en/actuators



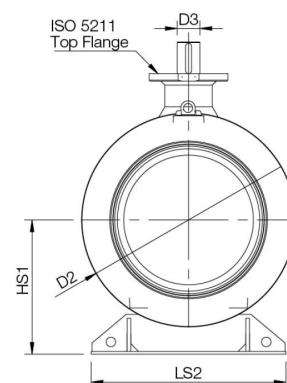
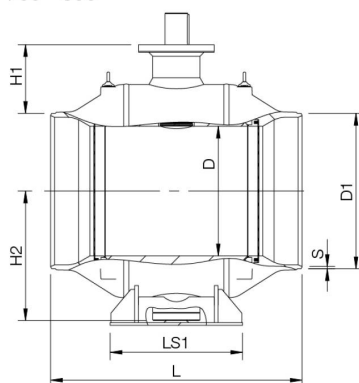
Operating conditions

-40°C - +70°C
 Over 70 °C contact manufacturer
 Below -30 °C contact manufacturer



Not for steam

DN 700 - 800



Product no. Vexve	DN	PN	D	D1	D2	D3	H1	H2	HS1	L	LS1	LS2	S	ISO 5211	kg
110700	700	25	589	711	965	100	336	592	616	1205	560	965	8	F35	2500
110800	800	25	684	813	1125	120	365	684	709	1330	700	1028	8.8	F35	3650